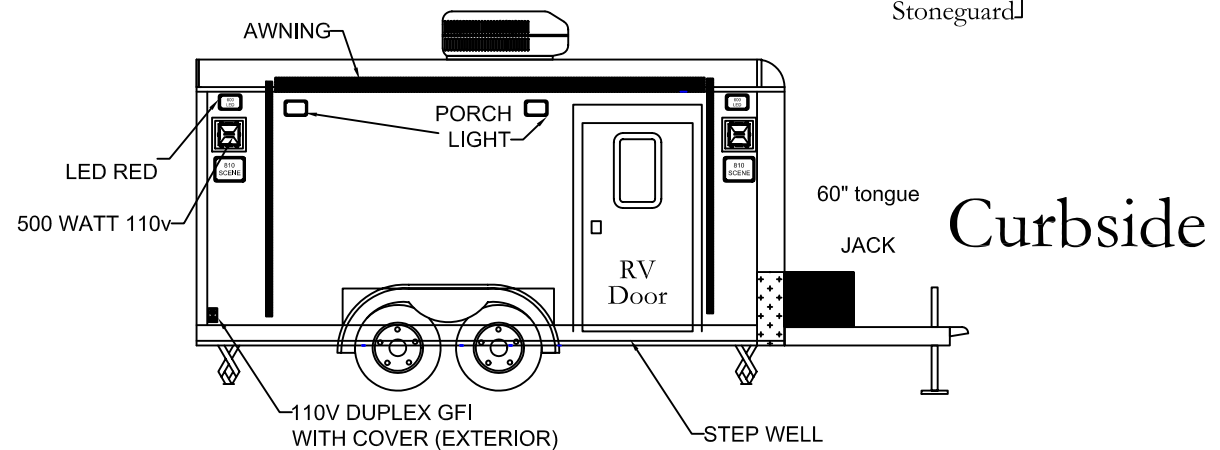
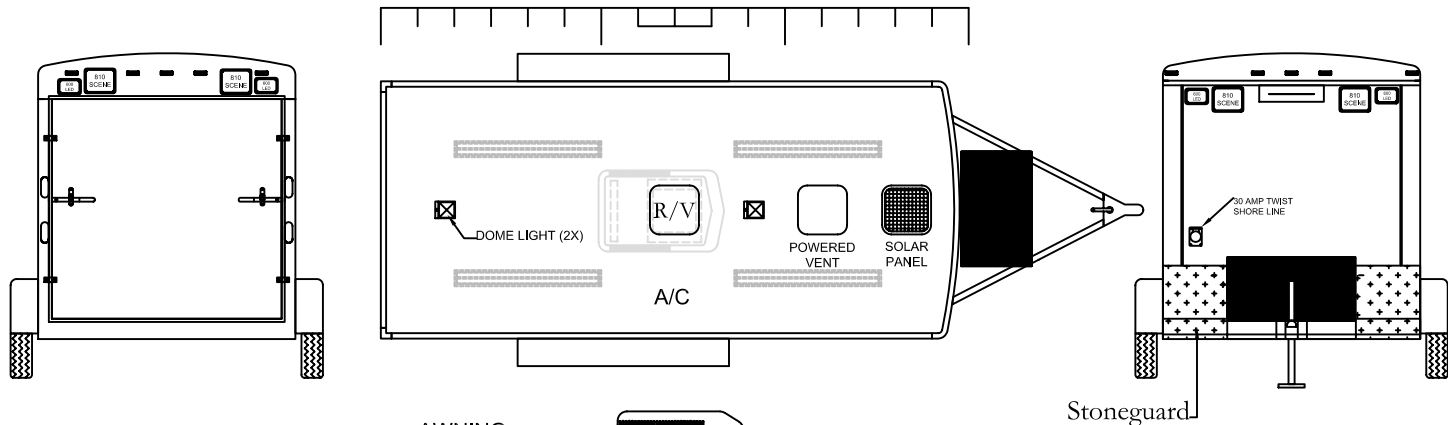
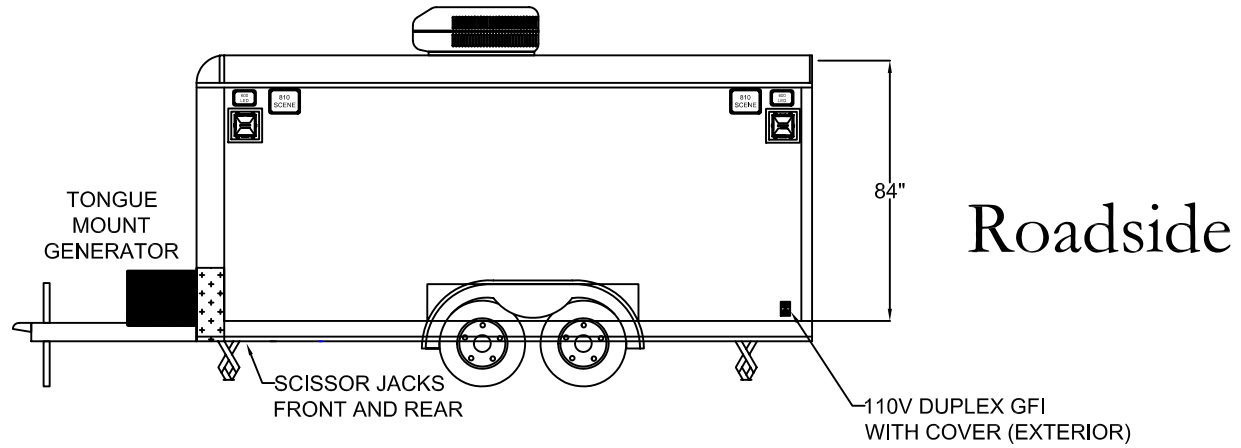


ODYSSEY Automotive Specialty

317 RICHARD MINE ROAD WHARTON, NJ 07885 (973) 328-2667 / (800) 535-9441 / FAX: (973) 328-2639

This drawing is proprietary and confidential to Odyssey Automotive Specialty, Inc. It is not to be reproduced or disclosed without prior written consent of Odyssey Automotive Specialty, Inc. ©2008 Odyssey Automotive Specialty, Inc. All rights reserved.

SERIES #	Cabinet Model
DATE	Notes: A = Adjustable R = Removable
MISC NOTES: 16 FT TRAILER	

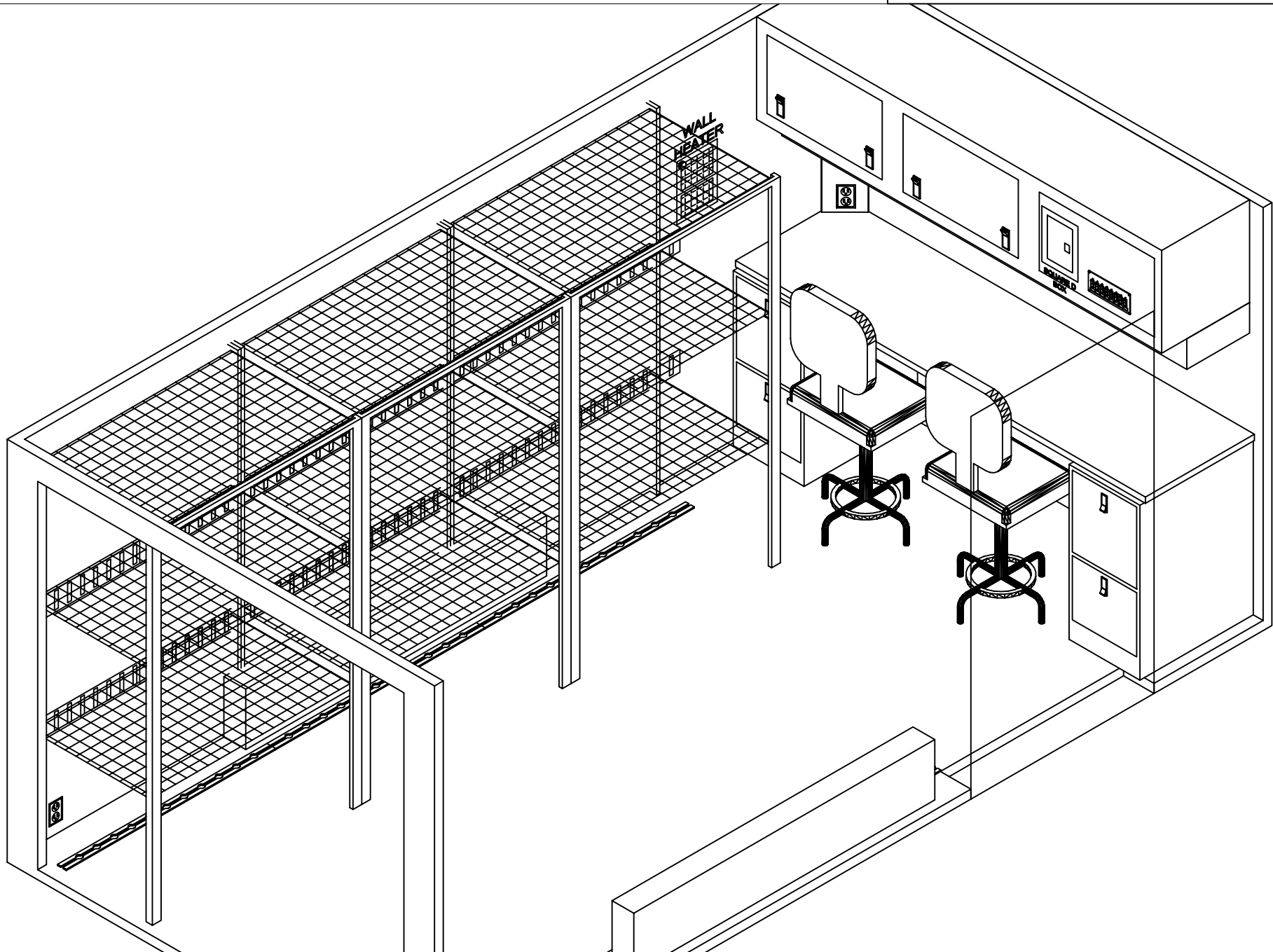


ODYSSEY Automotive Specialty

317 RICHARD MINE ROAD WHARTON, NJ 07885 (973) 328-2667 / (800) 535-9441 / FAX: (973) 328-2639

This drawing is proprietary and confidential to Odyssey Automotive Specialty, Inc. It is not to be reproduced or disclosed without prior written consent of Odyssey Automotive Specialty, Inc. ©2008 Odyssey Automotive Specialty, Inc. All rights reserved.

SERIES #	Cabinet Model
DATE	Notes: (A) = Adjustable (R) = Removable
MISC NOTES: 16 FT TRAILER	

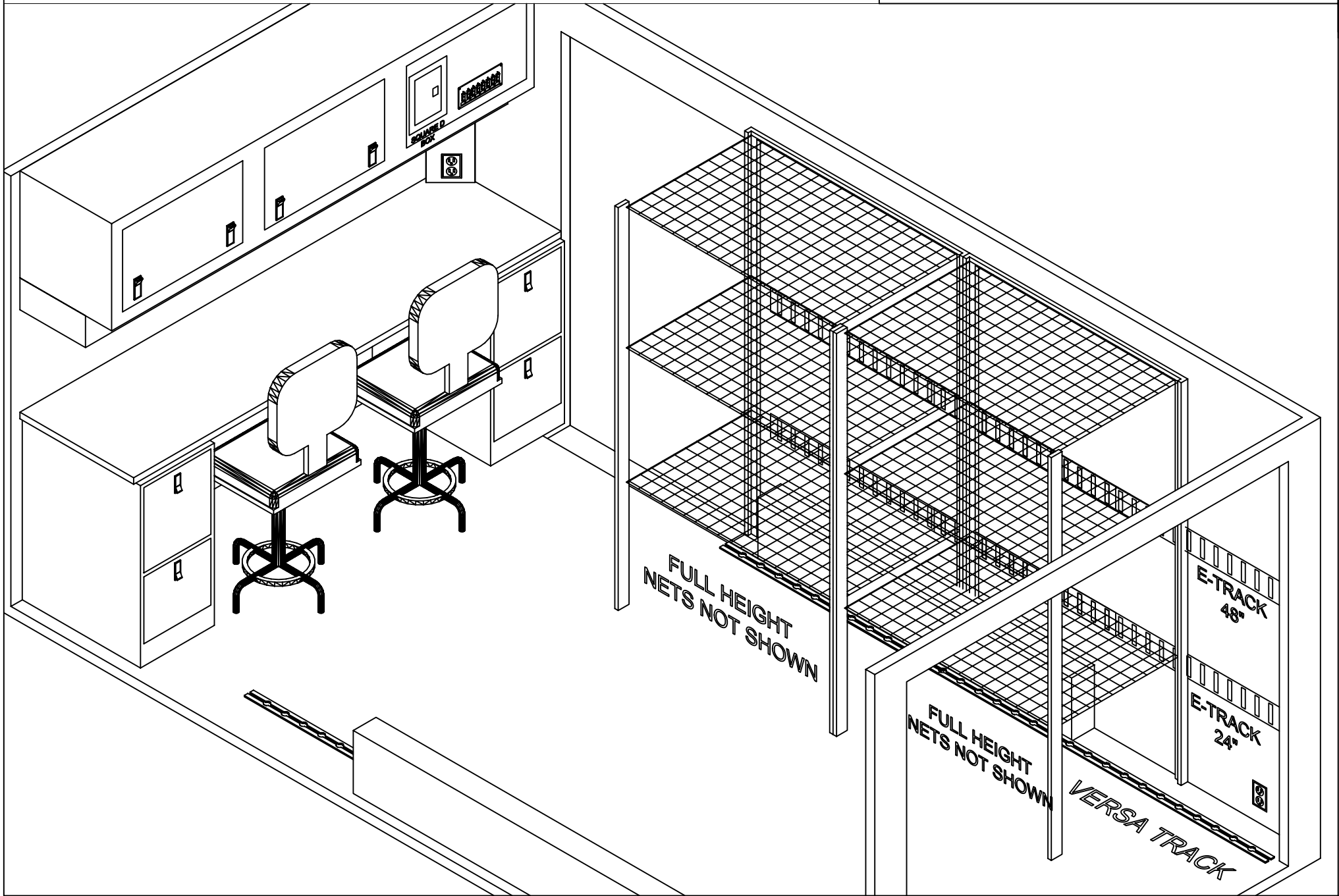


ODYSSEY Automotive Specialty

317 RICHARD MINE ROAD WHARTON, NJ 07885 (973) 328-2667 / (800) 535-9441 / FAX: (973) 328-2639

This drawing is proprietary and confidential to Odyssey Automotive Specialty, Inc. It is not to be reproduced or disclosed without prior written consent of Odyssey Automotive Specialty, Inc. ©2008 Odyssey Automotive Specialty, Inc. All rights reserved.

SERIES #	Cabinet Model
DATE	Notes: (A) = Adjustable (R) = Removable
MISC NOTES: 16 FT TRAILER	



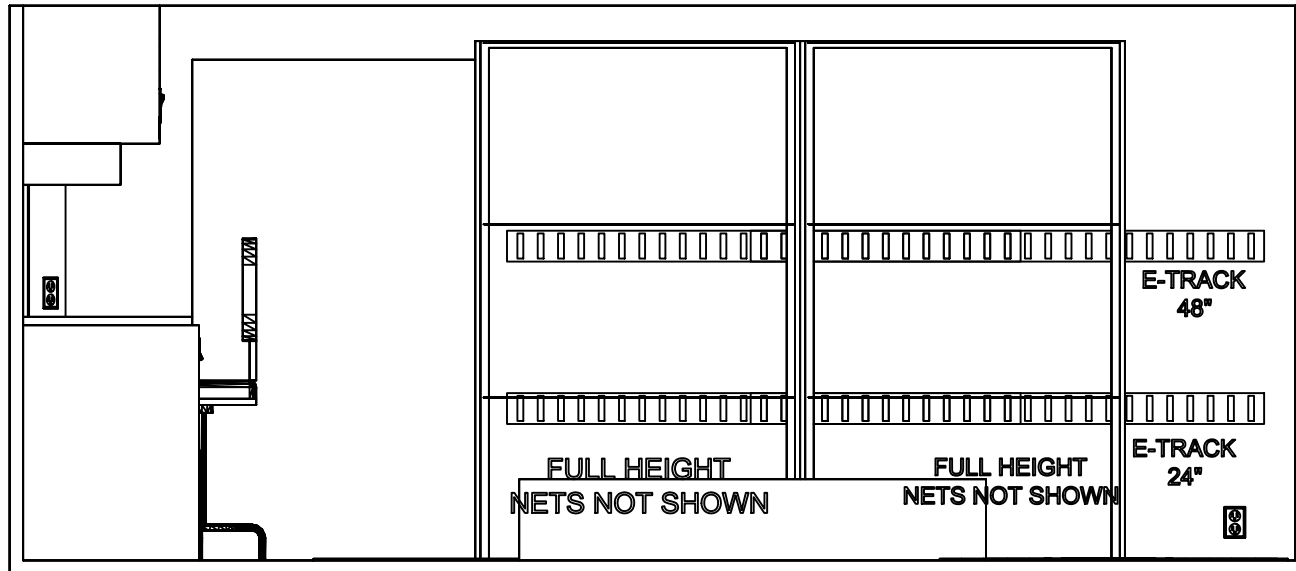
ODYSSEY Automotive Specialty

317 RICHARD MINE ROAD WHARTON, NJ 07885 (973) 328-2687 / (800) 535-9441 / FAX: (973) 328-2639

This drawing is proprietary and confidential to Odyssey Automotive Specialty, Inc. It is not to be reproduced or disclosed without prior written consent of Odyssey Automotive Specialty, Inc. ©2008 Odyssey Automotive Specialty, Inc. All rights reserved.

SERIES #	Cabinet Model
DATE	Notes: A = Adjustable R = Removable
MISC NOTES: 16 FT TRAILER	

CURB SIDE
INTEIOR



STREET SIDE
INTEIOR

