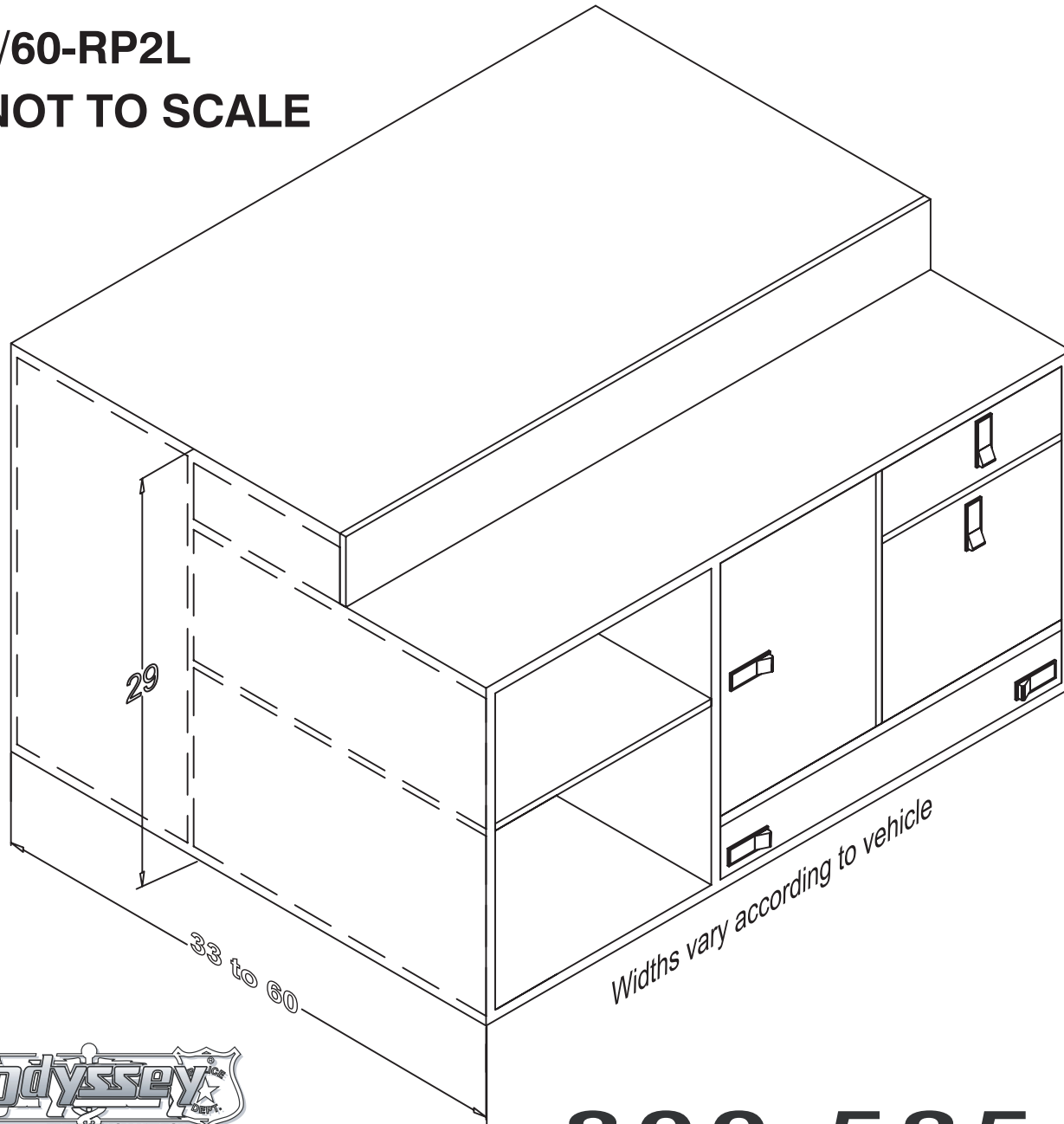


C40/60-RP2L

***NOTE: NOT TO SCALE**



This drawing is proprietary and confidential to Odyssey Automotive Specialty, Inc. It is not to be reproduced or disclosed without prior written consent of Odyssey Automotive Specialty, Inc. ©2000 Odyssey Automotive Specialty, Inc. All rights reserved.

800-535-9441

www.odysseyauto.com